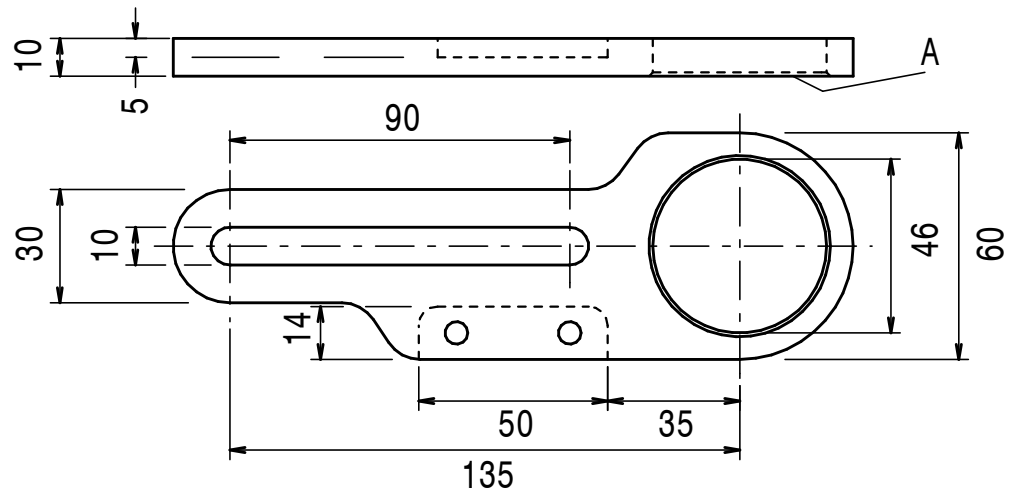


MATL. 60 DIA. STEEL 230M07

BUSH

3.



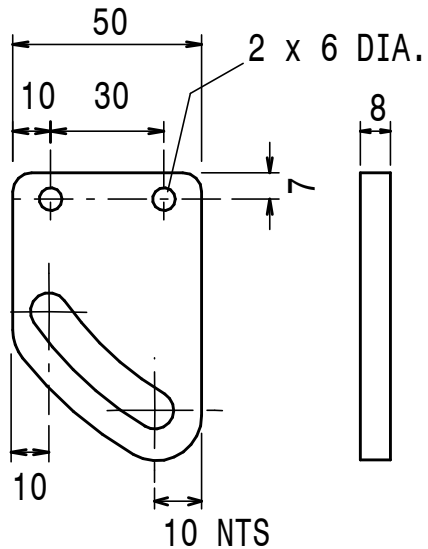
MAJOR DIMENSIONS ONLY GIVEN.

SHAPE PART AS YOU WISH. SEE PHOTOGRAPH

POSITION TWO SMALL HOLES USING MATTING PART.

A. COUNTERSINK TO 47 DIA.

MATL. 60 X 10 STEEL 070M20 MAIN ARM 1.

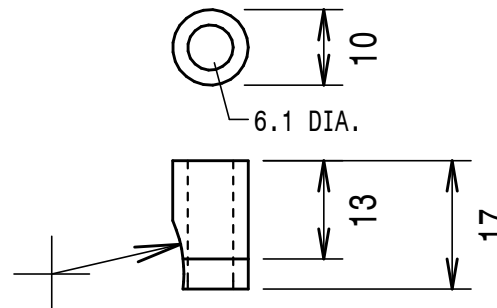


SEE ASSEMBLY FOR
RADIUS OF SLOT
MAJOR DIMENSIONS
ONLY GIVEN
SHAPE PART
AS YOU WISH

MATL 50 X 8
STEEL 070M20

SECONDARY ARM

2.



REDUCE LENGTH TO 13MM AFTER
MACHINING RADIUS. SEE TEXT.

MATL. 10 DIA. STEEL 230M07
CLAMP 4.