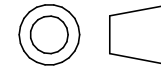


HOLES A. 6mm B. 5.2mm C. 6mm
 DEPTH OF HOLES "A" AND "B" CAN VARY DEPENDING ON LENGTH OF DRILLS AVAILABLE.

12mm DIAMETER TO BE A LIGHT PUSH FIT IN THE BALL RACE TO BE FITTED
 15mm DIAMETER TO BE A CLOSE SLIDING FIT IN THE BALL RACE TO BE FITTED

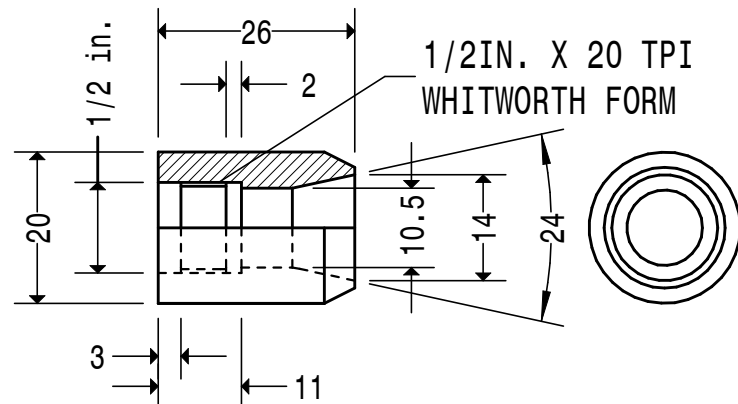


MATL. 20mm DIA. STEEL 230M07

QTY. 1 OFF

SPINDLE

S1



MATL. 20 DIA. STEEL 230M07



QTY. 1 OFF

COLLET CHUCK BODY

S8

