

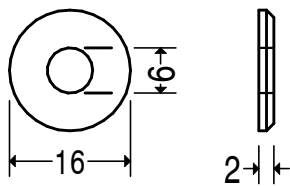
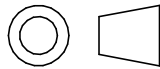
MATL. 35 DIA. ALUMINIUM 2011T6  
16 DIA CAST IRON

FIT CAST IRON BEARING BUSH  
USING TWO PART RESIN ADHESIVE

QTY. 3 OFF

IDLER PULLEYS

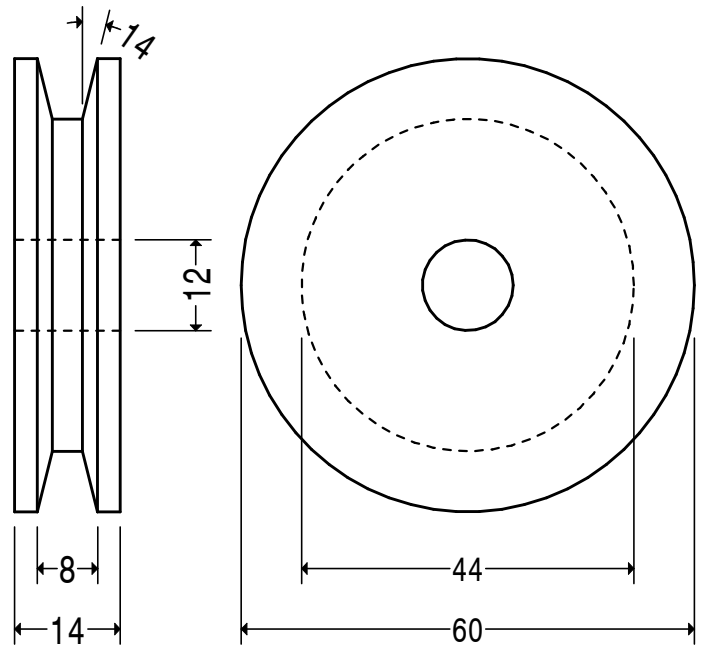
D2



MATERIAL  
16 DIA. STEEL 230M07

QTY. 4 OFF

PULLEY RETAINING  
WASHER D5



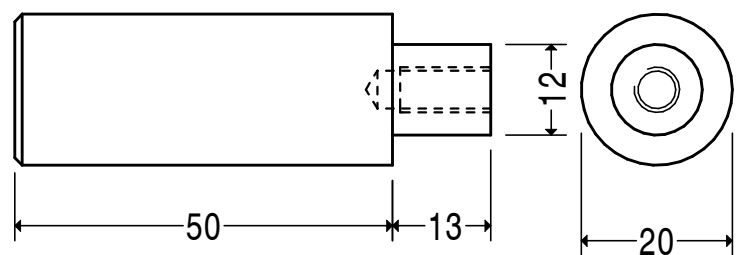
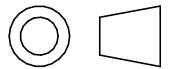
MATL. 60 DIA. ALUMINIUM 2011T6

QTY. 2 OFF

WIDTH OF GROVE MUST SUIT DRIVE BELT  
BEING USED. THE BELT SHOULD CONTACT  
THE SIDES OF THE GROVE ONLY TO  
ENSURE SUFFICIENT GRIP. DIMENSIONS  
SUIT A BELT HAVING A NOMINAL 8 MM  
DIAMETER.

MAIN PULLEYS

D7



HOLE M6 X 12 DEEP

MATL. 20 DIA. STEEL 230M07 QTY. 1 OFF

DRIVE INPUT SPINDLE

D8

