

B 32.5 MM DIAMETER

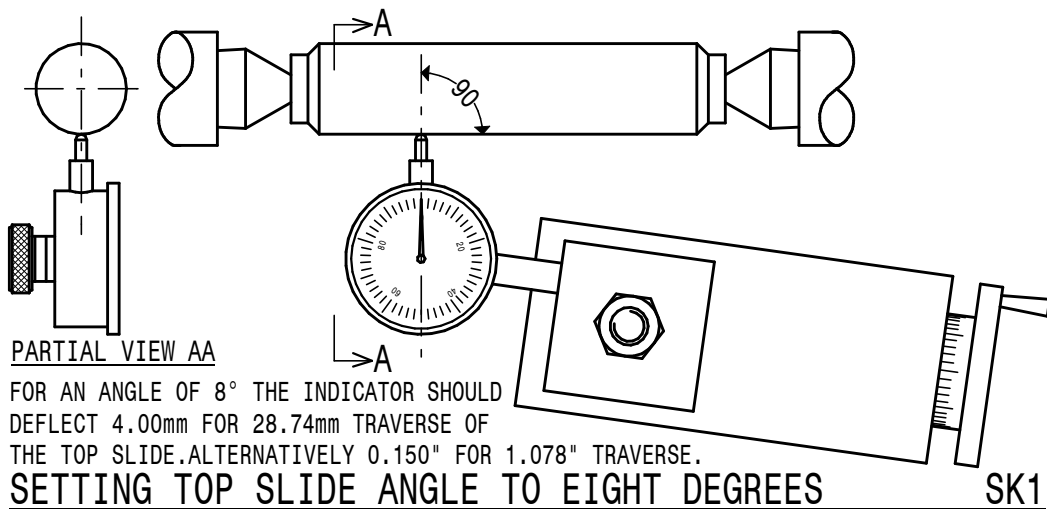
MATERIAL
50 DIAMETER STEEL 230M07

THREAD METRIC
1.5 MM PITCH 40 DIAMETER

SECTION



ER32 LATHE COLLET CLOSING RING



PARTIAL VIEW AA

FOR AN ANGLE OF 8° THE INDICATOR SHOULD DEFLECT 4.00mm FOR 28.74mm TRAVERSE OF THE TOP SLIDE. ALTERNATIVELY 0.150" FOR 1.078" TRAVERSE.

SETTING TOP SLIDE ANGLE TO EIGHT DEGREES

SK1